

# Starter Batteries

**RACE** POWER



## intAct Race-Power

Maintenance-free calcium battery (Ca/Ca) | wet charged



**intAct**  
BATTERY - POWER

## THE POWERFUL ALL-ROUNDER

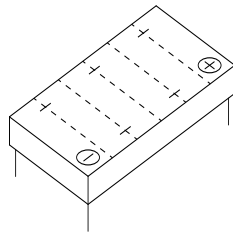
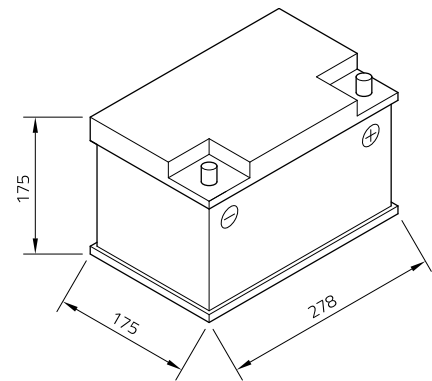
Maintenance-free calcium battery, with good durability and excellent value for money. Increased performance compared to standard starter battery with same box size. Our recommendation for a low-cost, high-performance starter battery for vehicles with more consumers.

- » Increased performance of up to 15% above the EN standard due to the fully expanding the battery.
- » Wet charged. Ready to use.
- » Approved for charging voltage up to 14.8 volts.
- » Double lid for increased safety.
- » Maintenance-free.

## RACE POWER



Artnum.	RP71
Japan-Code	keine
Volt	12V
Capacity	71 AH (c20)
CCR - 18°C (EN)	670 A (EN)
Electrolyte	diluted sulphuric acid
Electrolyte density	1,28 +/- 0,01 Kg/l (25° C)
Size (LxWxH)	278 x 175 x 175 mm
Weight	17,11 kg
Pos. of Terminal	0



**Technology** Maintenance-free calcium battery (Ca/Ca) | wet charged

**Terminal** 1

**Base plate** B13

As of 23.11.2022